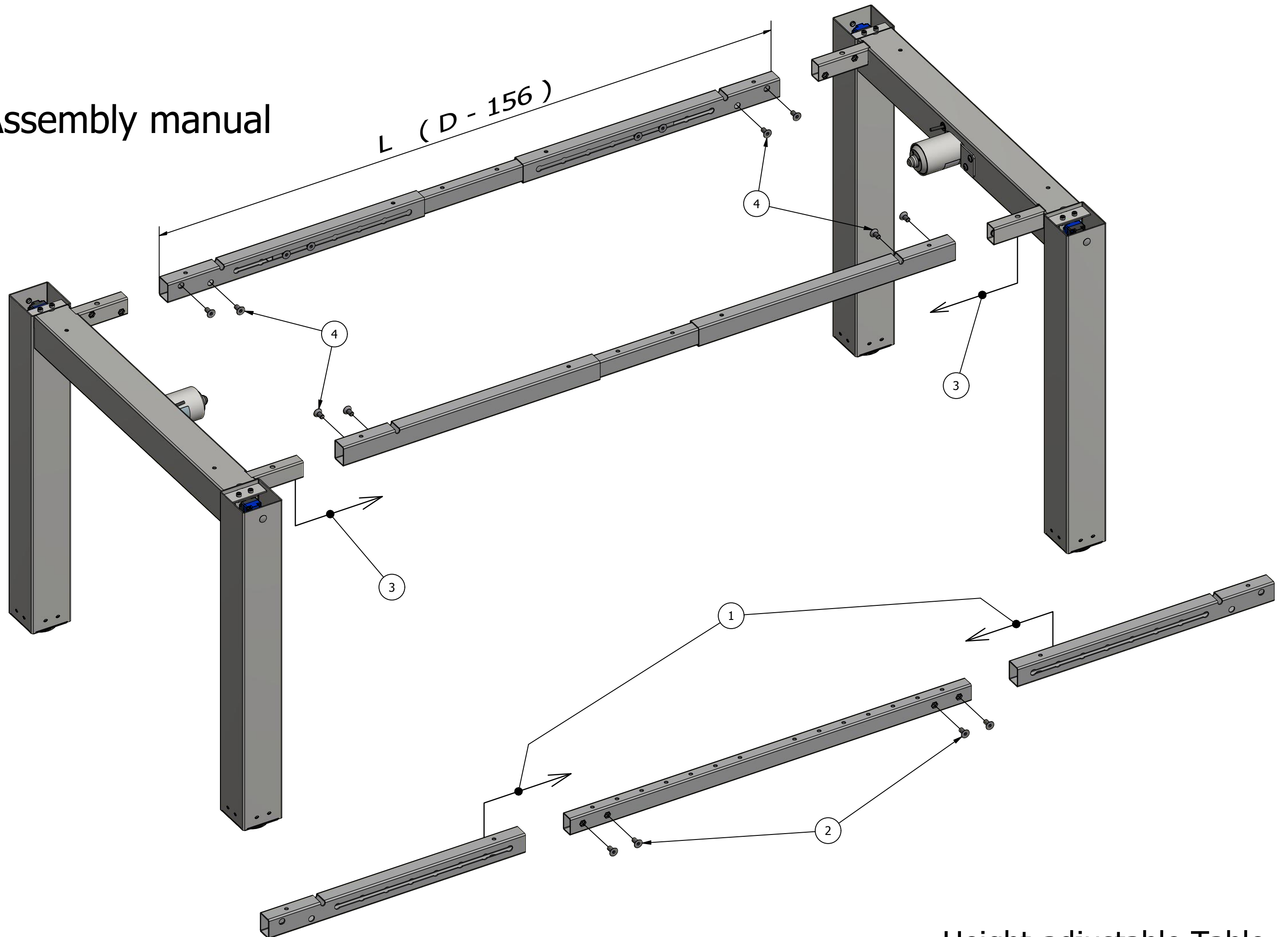


Assembly manual



Height-adjustable Table

Assembly manual

Height-adjustable Table

